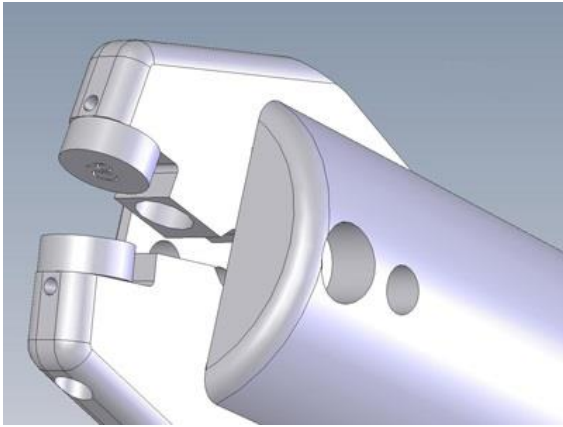
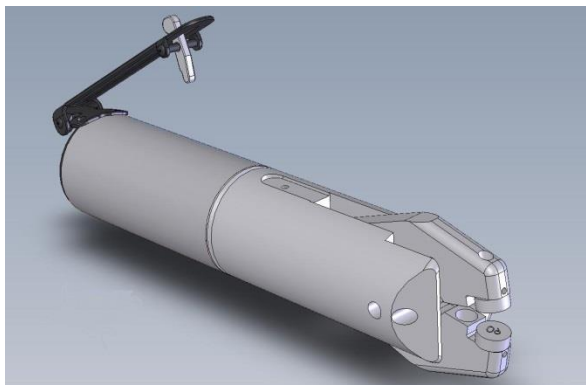


ALTA MAX LLC

PNEUMATIC CRIMPING TOOL



- Used for crimping Alucast Seals
- Provides consistent seal crimping
- Reduces Employee Fatigue
- Durable Enough to provide years of service
- Maximum air pressure 80 psi. For longest tool life it is recommended to operate at the lowest possible pressure to do the job.



Contact Alta Max to see
a video demonstration.